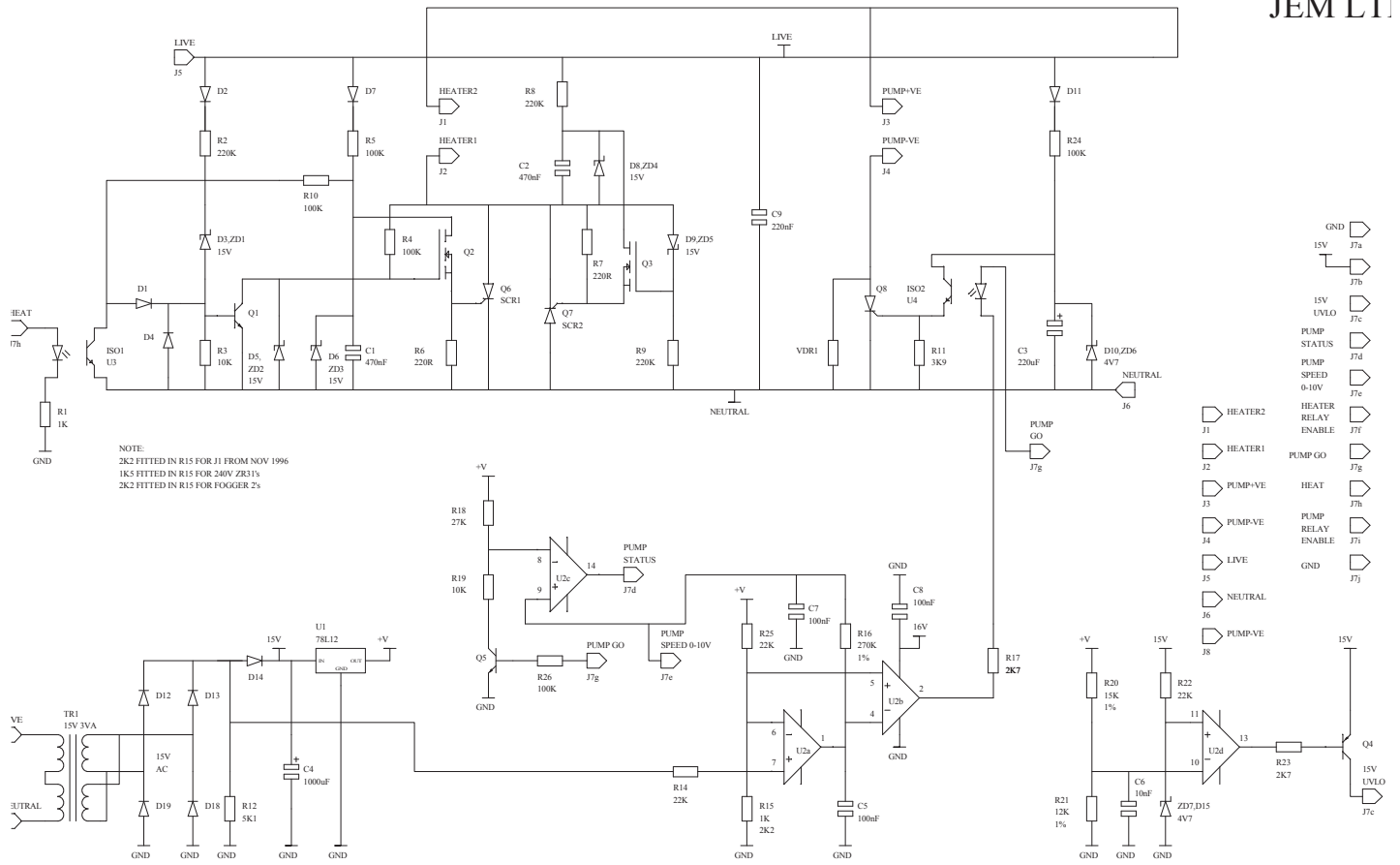


CE Universal Remote
Drawing No.
Drawn by : SH. 23/11/00



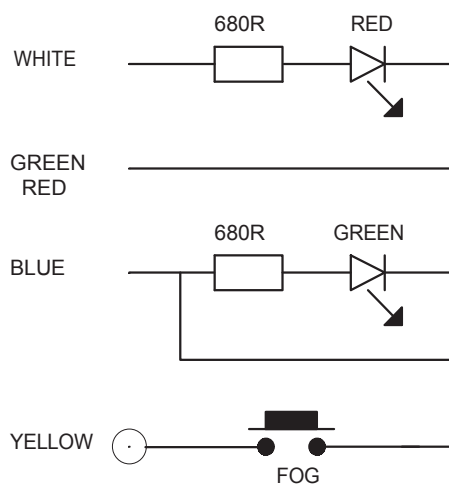
JEM LT1



DRAWN BY: CPW

DATE: 1,11,1996 TITLE: POWER CONTROL BOARD - JEM VERSION

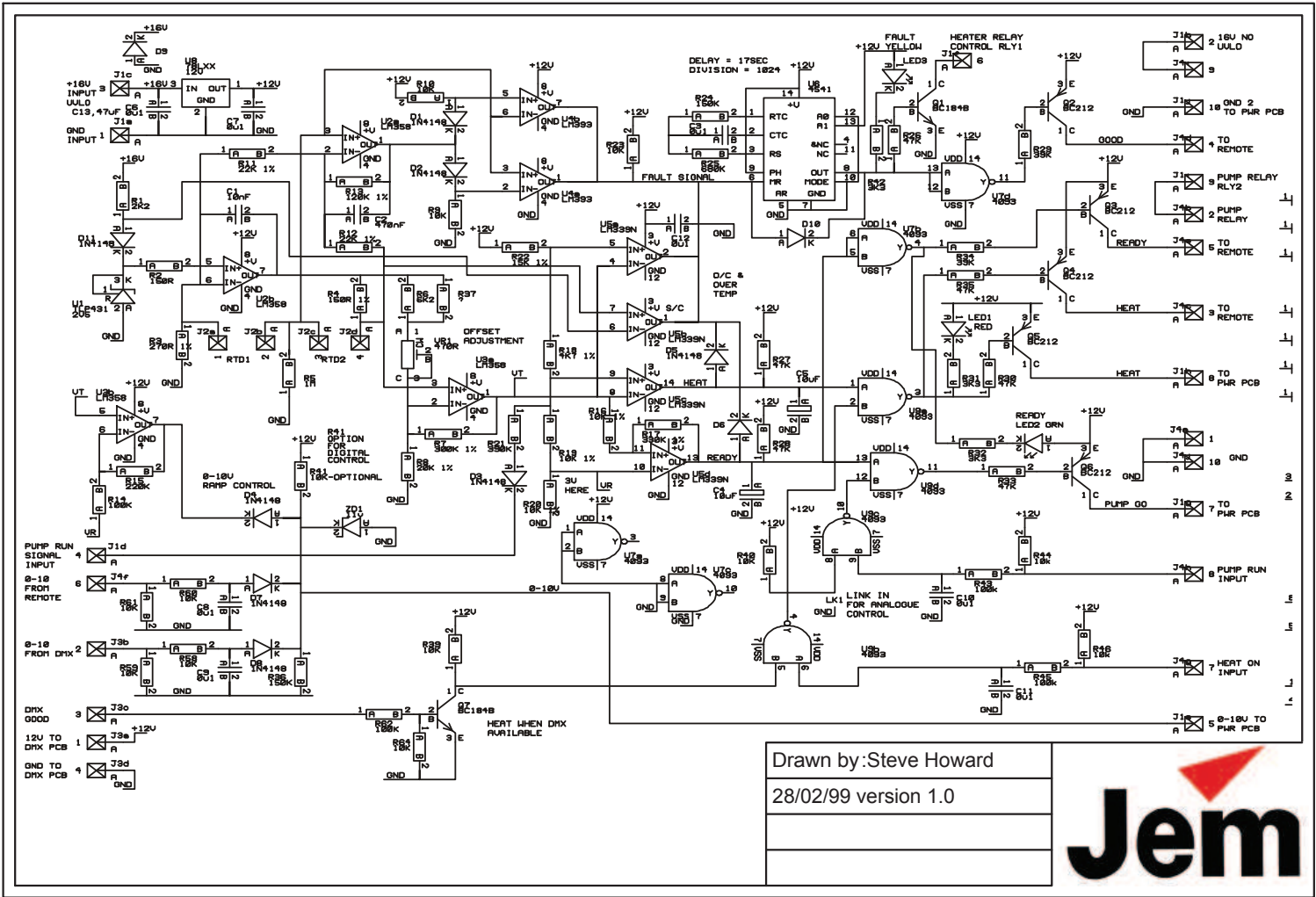
DWG No. CPW039REV.



BASIC REMOTE SCHEMATIC

ALL CE MACHINES
Remote control Pin diagram
Drawing No.
Drawn by : SH.





Drawn by: Steve Howard
 28/02/99 version 1.0

